



**GASOLINE
GENERATORS
Houseboat Series**

CONTINUOUS QUALITY POWER

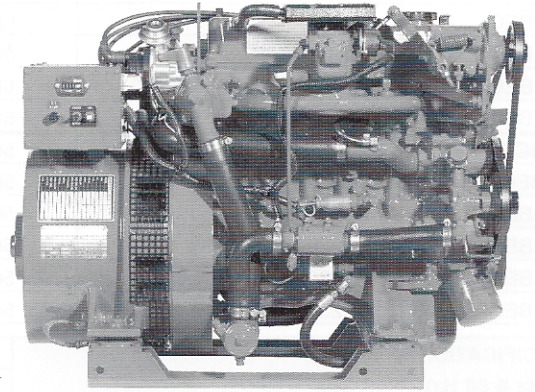
The Westerbeke family of "Houseboat Generators" is powered by dependable four-cylinder engines for smooth and quiet operation. Their proven reliability with houseboat rental fleets has made Westerbeke gensets the "standard of the industry." These modern overhead cam engines operate at a slow 1800 RPM for long life and low maintenance. The unique Westerbeke Gasdenser™ insures an uninterrupted flow of gasoline to the engine in the high ambient temperatures typically found in generator compartments and engine rooms.

All 1800 RPM Westerbeke gensets come with a 5-year limited warranty. As an added convenience, Westerbeke also offers Spare Parts Kits for routine maintenance or for a complete overhaul, available for each model generator we manufacture. Just ask your local distributor or dealer about these and many other available options. The Houseboat Series from Westerbeke: Continuous – Quality – Power.

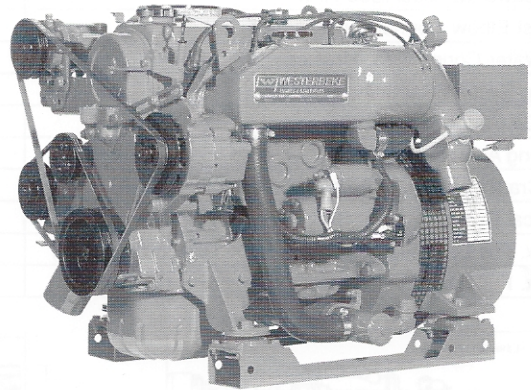
Standard Equipment

- Electronic Voltage Regulation
- Fresh Water Cooling
- Belt Guard
- Oil Drain Hose
- Drip Tray
- Electric 12-Volt Lift Pump
- 50-Amp Battery Charging Alternator
- High Water Temp., Low Oil Pressure, Overspeed and High Exhaust Temp. Safety Shutdowns
- The Westerbeke-designed Gasdenser™ Anti-Vapor Lock Device
- 50 Hz or 60 Hz, Field Convertible
- Power Take-off Interface
- A.C. Circuit Breaker Installed
- Operators' Manual and Parts List
- Hourmeter
- One-Side Servicing
- Meets U.S.C.G. Regulation 33CFR-183

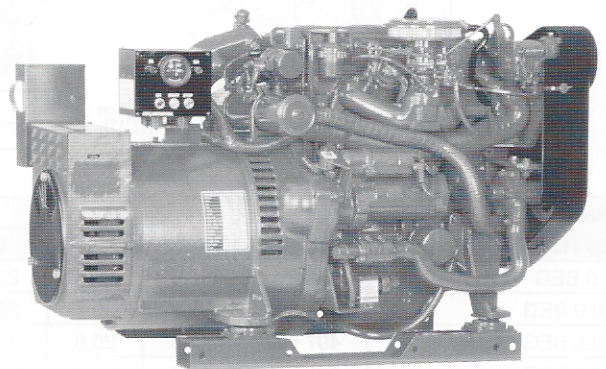
8-25 Kilowatt



8.0 BEG, 60 Hz • 6.4 BEG, 50 Hz



12.5 BEG, 60 Hz • 10.0 BEG, 50 Hz



25 BEGA, 60 Hz • 20 BEGA, 50 Hz

WESTERBEKE

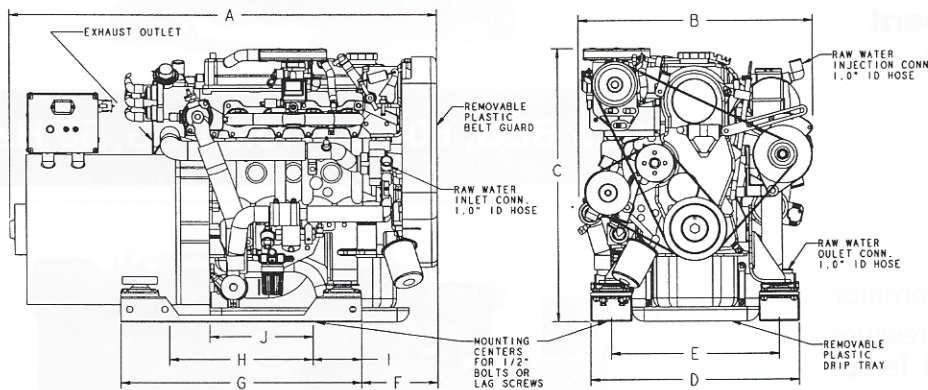
Generator Design

DESIGN: Brushless, four pole, revolving field, power take-off
VOLTAGE REGULATION: Standard +/- 2% no load to full load
FREQUENCY REGULATION: 3 Hz (5%) no load to full load
INSULATION: Class "H" as defined by NEMA MG1-1.66

TEMPERATURE RISE: Within NEMA MG1-22.40 operating at full load
COOLING: Cast centrifugal blower, direct connected
ELECTROMAGNETIC INTERFERENCE LEVEL: Exceeds requirements for most marine radio-telephones and standard TVs

Model (60 Hz & 50 Hz)	ELECTRICAL CHARACTERISTICS					RATINGS		ENGINE
	Volts	Amps	Hertz	Phase	Wire	P.F.	KW	RPM
8.0 BEG	120/240	66/33	60	1	4	1.0	8.0	1800
10.0 BEG	120/240	83/41	60	1	4	1.0	10.0	1800
12.5 BEG	120/240	104/52	60	1	4	1.0	12.5	1800
15.0 BEG	120/240	125/62	60	1	4	1.0	15.0	1800
20.0 BEGA	120/240	166/83	60	1	4	1.0	20.0	1800
25.0 BEGA	120/240	208/104	60	1	4	1.0	25.0	1800
6.4 BEG	230	27	50	1	4	1.0	6.4	1500
8.0 BEG	230	34	50	1	4	1.0	8.0	1500
10.0 BEG	230	43	50	1	4	1.0	10.0	1500
12.0 BEG	230	52	50	1	4	1.0	12.0	1500
16.0 BEGA	230	69	50	1	4	1.0	16.0	1500
20.0 BEGA	230	86	50	1	4	1.0	20.0	1500

SPECIFICATIONS (60 Hz & 50 Hz)	MODEL (60 HZ)					
	8.0 BEG	10.0 BEG	12.5 BEG	15.0 BEG	20.0 BEGA	25.0 BEGA
Number of Cylinders	4	4	4	4	4	4
Type	4 Cycle	4 Cycle	4 Cycle	4 Cycle	4 Cycle	4 Cycle
Displacement – Cubic Inches	89.6	89.6	89.6	89.6	133.3	133.3
Cylinder Bore & Stroke – Inches	2.97x3.23	2.97x3.23	2.97x3.23	2.97x3.23	3.38x3.70	3.38x3.70
Horsepower at 1800/1500 RPM	24/19	24/19	24/19	24/19	38/30	38/30
Exhaust Elbow Connection – Inches	2.0	2.0	2.0	2.0	2.0	2.0
Raw Water Connection – Inches	1.0	1.0	1.0	1.0	1.0	1.0
Cooling System Capacity – Quarts	5.5	5.5	5.5	5.5	9.0	9.0
Lube Oil Capacity – Quarts	3.5	3.5	3.5	3.5	4.5	4.5
Charging Alternator – Amps	50	50	50	50	50	50
Cold Cranking Amps – Amps	150	150	150	150	250	250
Electrical System – Neg. Gnd. – Volts	12	12	12	12	12	12
Approx. Full Load Fuel Consumption – GPH (1800 RPM)	1.10	1.25	1.45	1.70	2.0	2.5
Approx. Full Load Fuel Consumption – LPH (1500 RPM)	3.4	3.8	4.4	5.1	6.5	7.5



Optional Equipment

- Remote Stop-Start Panel
- Remote Engine Instrument Panel
- Ship-Shore Transfer Switch
- Hydro-Hush Muffler
- Anti-siphon Valve
- Technical Manual
- "A" & "B" On-board Spare Parts Kit

Note: 6.4/8 through 12/15 kW (50/60Hz) models require 2" I.D. exhaust outlet.

16/20 through 20/25 kW (50/60Hz) models require 3" I.D. exhaust outlet.

Model (60 Hz)	Dry Weight	DIMENSIONS – INCHES									
		A	B	C	D	E	F	G	H	I	J
8.0 BEG	440 lbs.	32.6	20.8	23.5	17.9	14.41	6.5	20.6	12.25	4.2	NA
10.0 BEG	466 lbs.	33.8	20.8	23.5	17.9	14.41	6.5	20.6	12.25	4.2	NA
12.5 BEG	497 lbs.	34.8	20.8	23.5	17.9	14.41	6.5	20.6	12.25	4.2	NA
15.0 BEG	525 lbs.	36.1	20.8	23.5	17.9	14.41	6.5	20.6	12.25	4.2	NA
20.0 BEGA	711 lbs.	42.0	23.4	28.2	20.0	16.5	6.0	27.5	20.3	4.1	10.2
25.0 BEGA	739 lbs.	42.0	23.4	28.2	20.0	16.5	6.0	27.6	20.3	4.1	10.2